

EZR0118QFN4 ZBD Schottky Detector

0.5-18.0 GHz Power Monitor, High Sensitivity



Technical Characteristics

Product Features

No bias required
Neg. (-) Polarity
Broadband Flat Frequency Response
Excellent VSWR
Low Cost QFN 4mm leadless RoHS package

Max. Ratings

Storage Temperature:	-65° to +100°C
Operating Temperature:	-54° to +100°C
Maximum input power:	+27dBm peak, +20dBm CW
Specifications	@ +25° & -20 dBm Input Power

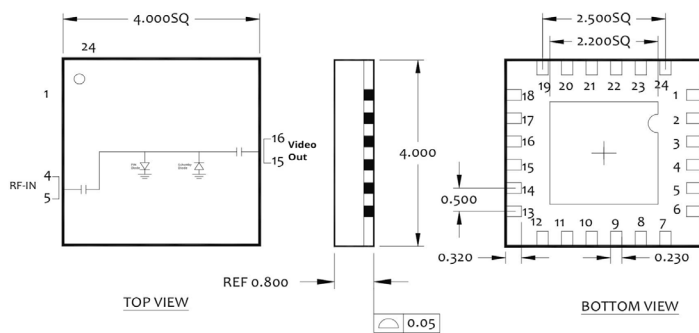
Electrical Specifications

Parameters	Freq. (GHz)	Min.	Typical	Max.	Units
Voltage Sensitivity	0.5 to 18.0	600	800		mV/mW open circuit
Voltage Sensitivity Stability over Temperature	0.5 to 18.0	2.5	3	3.5	dB
VSWR	0.5 to 18.0			3.5:1	
Flatness	0.5 to 18.0		1.8	2	dB
Polarity			Neg. (-)		eV
Video Capacitance		10	20		pF
Dynamic Range					
Tss			-42		dBm (Note 1)

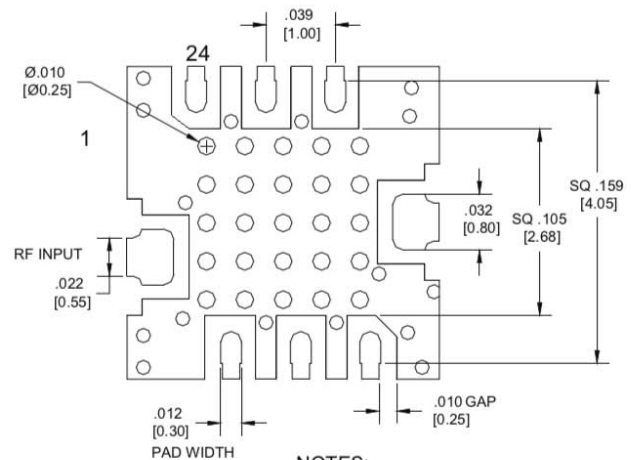
NOTES:

1. Tss is measured with a 2MHz bandwidth and a 3dB NF video amplifier.
2. Pins 4&5 – RF Input, Pins 15&16 – Video Output
3. Typical values are measured at +25°C and are not guaranteed.
4. An external bypass (100pf) capacitor is required for operation to minimize RF feedthru.
5. Negative output polarity is standard, Add "P" to the end of the model number for Positive, Ex: EZR0118PQFN4

PACKAGE PINOUT



RECOMMENDED PCB LAYOUT



NOTES:

1. MATERIAL: ROGERS 4350, 10 MIL THICK
2. DIMENSIONS ARE IN INCHES[MM]

Data Plots

EZR series Transfer Curve

